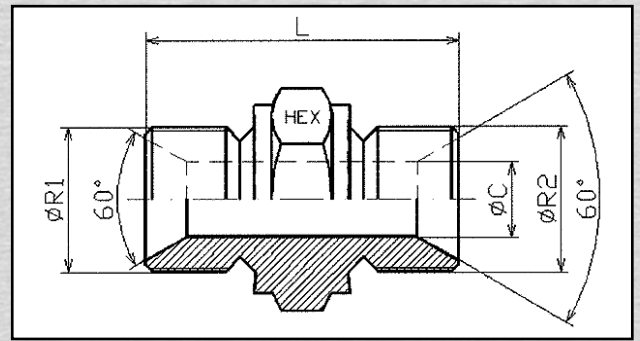


Doppelnippel AGR-AGR

Adaptor BSP Both Cyl.

Cone 60°

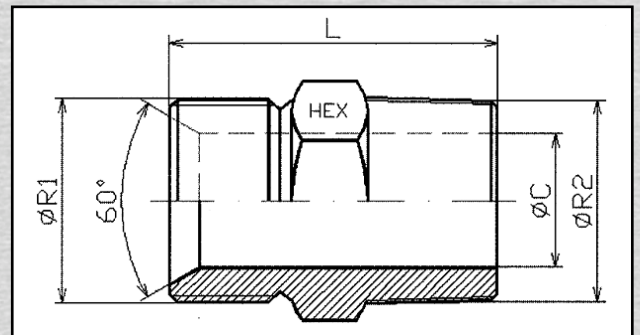


Schlauch Hose DN	Gewinde Thread R1	Gewinde Thread R2	Maßzahlen Dimensions			Artikel Article	Bestell-Nummer Order-No.	Preis Price €
			L	C	HEX			
04	1/8"	1/8"	25	4	14	Z101002	1.8 AGR - 1.8 AGR	*)
06	1/4"	1/4"	32	5	17	Z101004	1.4 AGR - 1.4 AGR	*)
10	3/8"	3/8"	36	8	22	Z101006	3.8 AGR - 3.8 AGR	*)
12	1/2"	1/2"	43	11	27	Z101008	1.2 AGR - 1.2 AGR	*)
16	5/8"	5/8"	45	14	30	Z101010	5.8 AGR - 5.8 AGR	*)
20	3/4"	3/4"	45	16	32	Z101012	3.4 AGR - 3.4 AGR	*)
25	1"	1"	54	22	41	Z101016	1.1 AGR - 1.1 AGR	*)
32	1 1/4"	1 1/4"	58	28	50	Z101020	5.4 AGR - 5.4 AGR	*)
40	1 1/2"	1 1/2"	62	33	55	Z101024	3.2 AGR - 3.2 AGR	*)
50	2"	2"	72	46	65	Z101032	4.2 AGR - 4.2 AGR	*)

Doppelnippel AGR-BSPT

Adaptor BSP Male Cone 60°

BSPT Male Tapered



Schlauch Hose DN	Gewinde Thread R1	Gewinde Thread R2	Maßzahlen Dimensions			Artikel Article	Bestell-Nummer Order-No.	Preis Price €
			L	C	HEX			
04	1/8"	1/8" BSPT	24,5	4	14	Z10120202	1.8 AGR - 1.8 BSPT	*)
06	1/4"	1/4" BSPT	30,5	5	17	Z10120404	1.4 AGR - 1.4 BSPT	*)
10	3/8"	3/8" BSPT	33,5	8	22	Z10120606	3.8 AGR - 3.8 BSPT	*)
12	1/2"	1/2" BSPT	38,5	11	27	Z10120808	1.2 AGR - 1.2 BSPT	*)
20	3/4"	3/4" BSPT	44	16	32	Z10121212	3.4 AGR - 3.4 BSPT	*)
25	1"	1" BSPT	54	22	41	Z10121616	1.1 AGR - 1.1 BSPT	*)
32	1 1/4"	1 1/4" BSPT	57	28	50	Z10122020	5.4 AGR - 5.4 BSPT	*)
40	1 1/2"	1 1/2" BSPT	61,5	33	55	Z10122424	3.2 AGR - 3.2 BSPT	*)
50	2"	2" BSPT	71,5	46	65	Z10123232	4.2 AGR - 4.2 BSPT	*)

*) Bitte Preisliste anfordern!
*) Please, request price list!