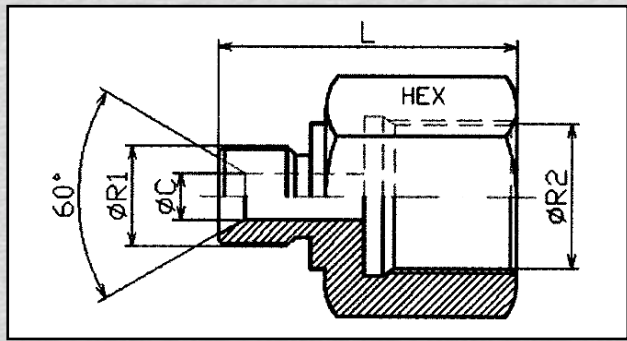


Doppelnippel AGR-IGR

Adaptor Reducer Male BSP 60°

Female Fixed BSP



Schlauch Hose DN	Gewinde Thread R1	Gewinde Thread R2	Maßzahlen Dimensions			Artikel Article	Bestell-Nummer Order-No.	Preis Price €
			L	C	HEX			
04/06	1/8"	1/4"	31	4	19	Z10600204	1.8 AGR - 1.4 IGR	*)
06/04	1/4"	1/8"	39	5	19	Z10600402	1.4 AGR - 1.8 IGR	*)
06/12	1/4"	1/2"	38	5	27	Z10600408	1.4 AGR - 1.2 IGR	*)
10/06	3/8"	1/4"	35,5	8	2	Z10600604	3.8 AGR - 1.4 IGR	*)
10/12	3/8"	1/2"	39,5	8	27	Z10600608	3.8 AGR - 1.2 IGR	*)
12/06	1/2"	1/4"	38,5	11	27	Z10600804	3.8 AGR - 1.4 IGR	*)
12/10	1/2"	3/8"	39,5	11	27	Z10600806	1.2 AGR - 3.8 IGR	*)
12/20	1/2"	3/4"	46	11	32	Z10600812	1.2 AGR - 3.4 IGR	*)
20/10	3/4"	3/8"	40,5	16	32	Z10601206	3.4 AGR - 3.8 IGR	*)
20/12	3/4"	1/2"	43,5	16	32	Z10601208	3.4 AGR - 1.2 IGR	*)
20/25	3/4"	1"	46,5	16	41	Z10601216	3.4 AGR - 1.1 IGR	*)
25/20	1"	3/4"	48	22	41	Z10601612	1.1 AGR - 3.4 IGR	*)
25/32	1"	1 1/4"	58	22	50	Z10601620	1.1 AGR - 5.4 IGR	*)
32/25	1 1/4"	1"	52	28	50	Z10602016	5.4 AGR - 1.1 IGR	*)
40/32	1 1/2"	1 1/4"	61	33	55	Z10602420	3.2 AGR - 5.4 IGR	*)
40/50	1 1/2"	2"	65	33	70	Z10602432	3.2 AGR - 4.2 IGR	*)
50/40	2"	1 1/2"	75,5	46	70	Z10603224	4.2 AGR - 3.2 IGR	*)

*) Bitte Preisliste anfordern!
*) Please, request price list!