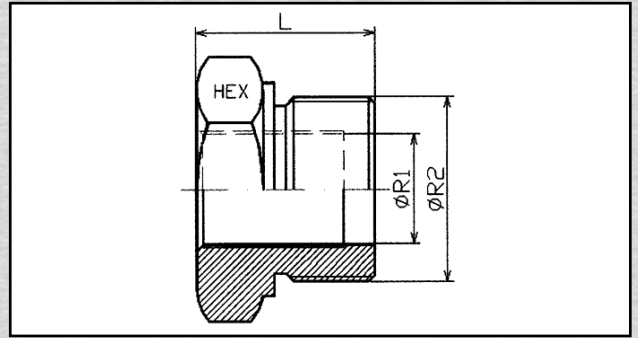


Reduziernippel AGR-IGR

60° BSP Male - Fixed Female

Reductor Plug

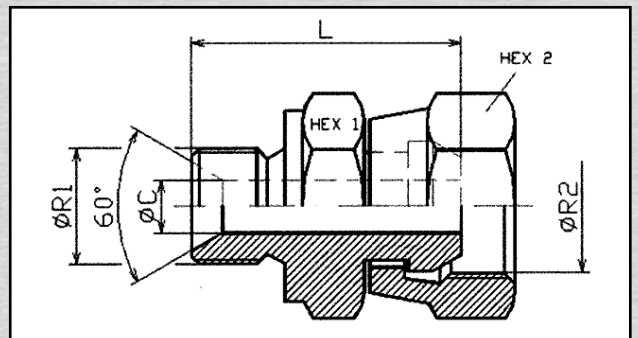


Schlauch Hose DN	Gewinde Thread R1	Gewinde Thread R2	Maßzahlen Dimensions		Artikel Article	Bestell-Nummer Order-No.	Preis Price €
			L	HEX			
-	1/8"	1/4"	19	17	Z11500402	Z 11500402	*)
-	1/8"	3/8"	21	22	Z11500602	Z 11500602	*)
-	1/4"	3/8"	21	22	Z11500604	Z 11500604	*)
-	1/4"	1/2"	24,5	27	Z11500804	Z 11500804	*)
-	3/8"	1/2"	24,5	27	Z11500806	Z 11500806	*)
-	1/2"	3/4"	26,5	32	Z11501208	Z 11501208	*)
-	3/4"	1"	32	41	Z11501612	Z 11501612	*)
-	3/4"	1 1/4"	33	50	Z11502012	Z 11502012	*)
-	1"	1 1/4"	33	50	Z11502016	Z 11502016	*)
-	1"	1 1/2"	36,5	55	Z11502416	Z 11502416	*)
-	1 1/4"	1 1/2"	36,5	55	Z11502420	Z 11502420	*)
-	1 1/4"	2"	43	65	Z11503220	Z 11503220	*)
-	1 1/2"	2"	43	65	Z11503224	Z 11503224	*)

Reduziernippel AGR-DKR

Reducing Adaptor BSP Male

Swivel Female Cone 60°



Schlauch Hose DN	Gewinde Thread R1	Gewinde Thread R2	Maßzahlen Dimensions				Artikel Article	Bestell-Nummer Order-No.	Preis Price €
			L	C	HEX 1	HEX 2			
04/06	1/8"	1/4"	27	4	17	19	Z11730204	1.8 AGR - 1.4 DKR	*)
06/10	1/4"	3/8"	32,5	5	22	22	Z11730406	1.4 AGR - 3.8 DKR	*)
10/12	3/8"	1/2"	36	8	27	27	Z11730608	3.8 AGR - 1.2 DKR	*)
12/20	1/2"	3/4"	42	11	32	32	Z11730812	1.2 AGR - 3.4 DKR	*)
20/25	3/4"	1"	48,5	16	41	41	Z11731216	3.4 AGR - 1.1 DKR	*)
25/32	1"	1 1/4"	56	22	50	50	Z11731620	1.1 AGR - 5.4 DKR	*)
32/40	1 1/4"	1 1/2"	59	28	55	55	Z11732024	5.4 AGR - 3.2 DKR	*)

*) Bitte Preisliste anfordern!
*) Please, request price list!