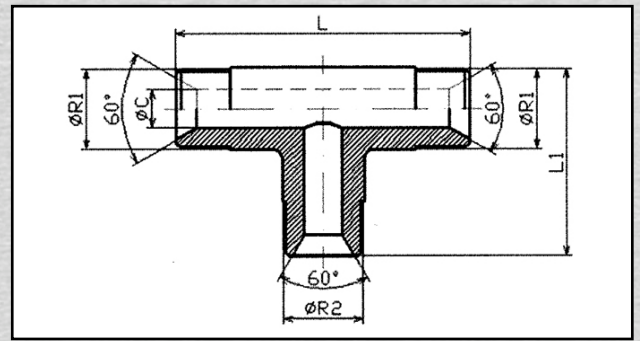


T-Stück AGR

Forging BSP Male 60° Cone "T"

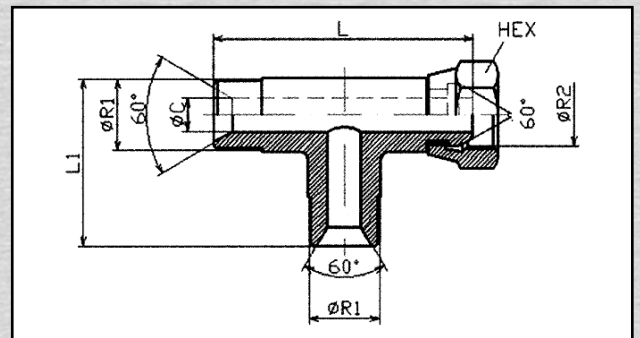


Schlauch Hose DN	Gewinde Thread R1	Gewinde Thread R2	Maßzahlen Dimensions			Artikel Article	Bestell-Nummer Order-No.	Preis Price €
			L	L1	C			
06	1/4"	1/4"	50	31,5	5	Z122004	T-1.4 AGR	*)
10	3/8"	3/8"	56	36,5	8	Z122006	T-3.8 AGR	*)
12	1/2"	1/2"	60	40,5	11	Z122008	T-1.2 AGR	*)
20	3/4"	3/4"	75,5	51	16	Z122012	T-3.4 AGR	*)
25	1"	1"	91	62	22	Z122016	T-1.1 AGR	*)
32	1 1/4"	1 1/4"	101,5	71	28	Z122020	T-5.4 AGR	*)

T-Stück AGR-AGR-DKR

Forging BSP Male

Male – Swivel Female 60° Cone "T"



Schlauch Hose DN	Gewinde Thread R1	Gewinde Thread R2	Maßzahlen Dimensions				Artikel Article	Bestell-Nummer Order-No.	Preis Price €
			L	L1	C	HEX			
06	1/4"	1/4"	46	31,5	5	19	Z122204	T-1.4 AGR-AGR-DKR	*)
10	3/8"	3/8"	50	36,5	8	22	Z122206	T-3.8 AGR-AGR-DKR	*)
12	1/2"	1/2"	55	40,5	11	27	Z122208	T-1.2 AGR-AGR-DKR	*)
20	3/4"	3/4"	68,5	51	16	32	Z122212	T-3.4 AGR-AGR-DKR	*)
25	1"	1"	82,5	62	22	41	Z122216	T-1.1 AGR-AGR-DKR	*)

*) Bitte Preisliste anfordern!
*) Please, request price list!