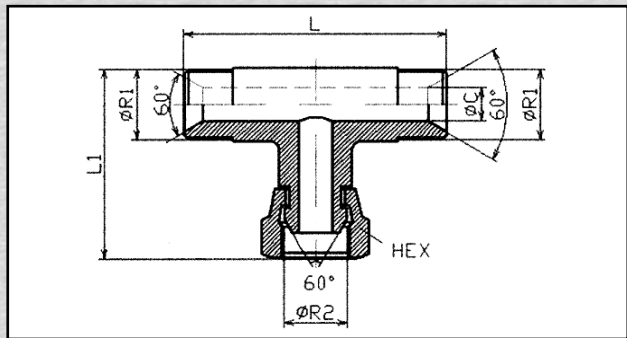


## T-Stück AGR-DKR-AGR

### Forging BSP Male

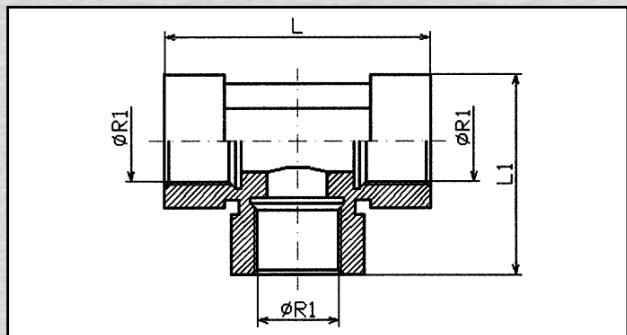
Swivel Female – Male 60° Cone "T"



Schlauch Hose DN	Gewinde Thread R1	Gewinde Thread R2	Maßzahlen Dimensions				Artikel Article	Bestell-Nummer Order-No.	Preis Price €
			L	L1	C	HEX			
06	1/4"	1/4"	50	27,5	5	19	Z122404	T-1.4 AGR-DKR-AGR	*)
10	3/8"	3/8"	56	30,5	8	22	Z122406	T-3.8 AGR-DKR-AGR	*)
12	1/2"	1/2"	60	34	11	27	Z122408	T-1.2 AGR-DKR-AGR	*)
20	3/4"	3/4"	75,5	43,5	16	32	Z122412	T-3.4 AGR-DKR-AGR	*)
25	1"	1"	91	52	22	41	Z122416	T-1.1 AGR-DKR-AGR	*)
32	1 1/4"	1 1/4"	-	-	-	-	Z122420	T-5.4 AGR-DKR-AGR	*)

## T-Stück IGR

### BSP Female "T"



Schlauch Hose DN	Gewinde Thread R1	Maßzahlen Dimensions		Artikel Article	Bestell-Nummer Order-No.	Preis Price €
		L	L1			
-	1/4"	60	39	Z122604	T-1.4 IG	*)
-	3/8"	68	45	Z122606	T-3.8 IG	*)
-	1/2"	88	61	Z122608	T-1.2 IG	*)
-	3/4"	88	61	Z122612	T-3.4 IG	*)
-	1"	101	72	Z122616	T-1.1 IG	*)

\*) Bitte Preisliste anfordern!  
\*) Please, request price list!